



RP0702BA-5R00GN-90



WWW.BARRYIND.COM

Alumina

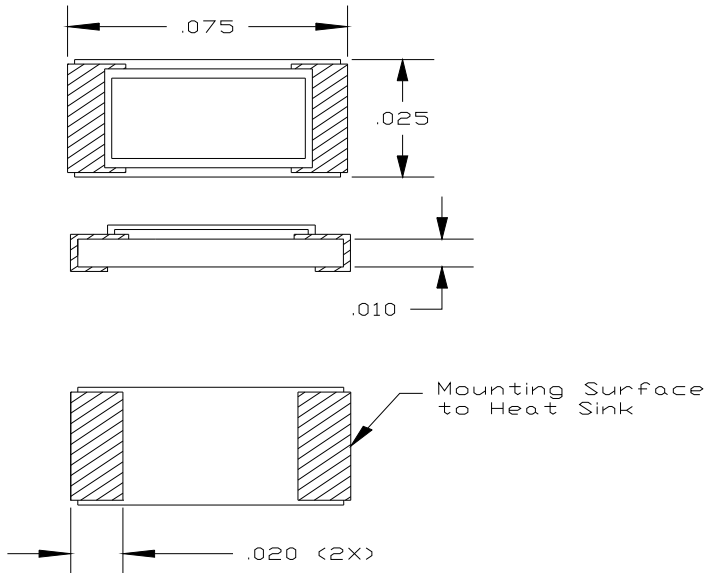
CHIP RESISTOR

Features:

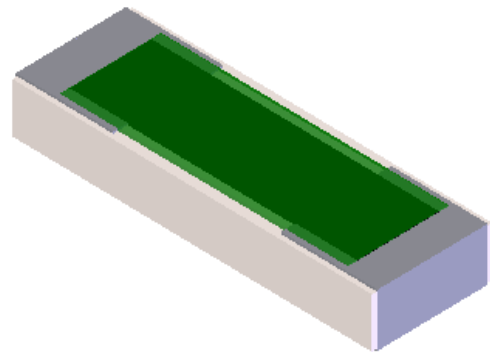
- ◆ Alumina Material
- ◆ Wrap around
- ◆ Palladium Silver

General Description:

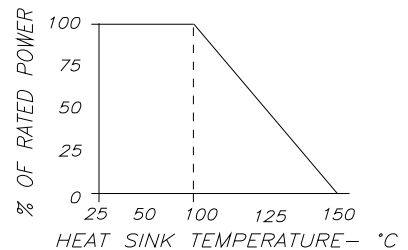
The RP0702BA-5R00GN-90 is a 5 ohm standard wrap around style chip resistor. Its compact size is ideal for miniature electronic components. It offers an input power of .2 watts, while maintaining a constant mounting surface temperature of 100°C. It is epoxy mountable.



Dimensions in inches
Tolerance $\pm .005$
unless otherwise stated



DERATING CURVE:



Parameter	Min.	Typ.	Max.	Units
Resistance	4.9	5	5.1	Ohms
Input Power			.2	Watts
Mounting Surface Temperature			100	°C

Barry Industries reserves the right to change part number and or process without notification.

Barry Industries, Inc., 60 Walton St., Attleboro, MA 02703 T: 508-226-3350 F: 508-226-3317 E-mail: ABSales@Vishay.com
Barry Industries maintains an ISO 9001 Certified Quality Management System

Origination Date	Revision Date	Rev
09/23/08	09/23/08	-